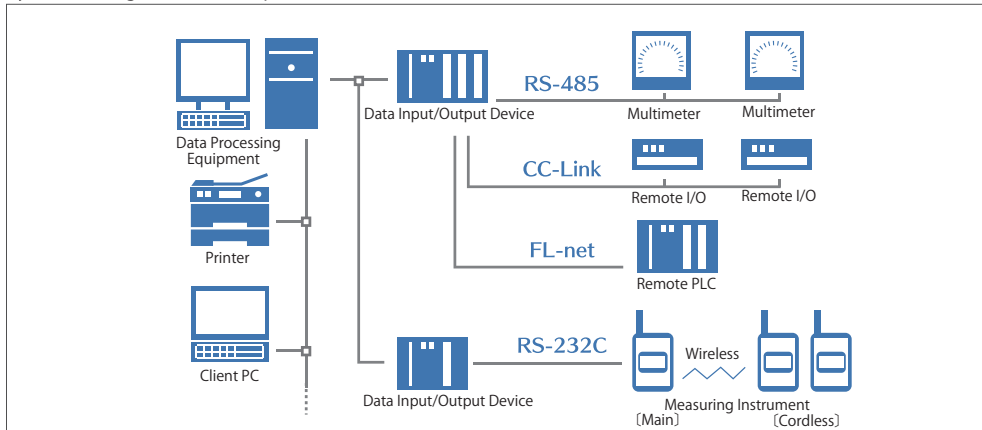




System Configuration (Example)



Main Function

Category	Features and Specifications
Standard Features	Monitoring: operation, alarm, measurements, upper and lower bounds, and sensor failure Display: graphical, current value list, generating alarm, unidentified warning, pop-up alerts, and daily - monthly - annual report Display & search: operating history, and warning history Automatic report printing, accumulated operation times and frequencies, self-diagnostics Security (password protected)
Optional Features	Monitoring of control failures Individual device control, schedule regulation Trend graphs display, operational history display & search Electronic mail notifications, external warning output Demand monitoring, demand regulation Inspection settings, maintenance time and frequency settings, equipment management User privileges

Operating Environment

Client	
OS	Windows XP Professional, Windows 7
Application	Internet Explorer 6.0 or higher, Excel, Silverlight 2.0 or higher
Data Processing Equipment	
OS	Windows XP Professional, Windows 7
CPU	CoreTM 2 Duo Processor or equivalent
Memory	2GB (Recommended)
HDD Capacity	80GB (RAID1) (Recommended)
	Maximum number of Manageable devices: 1000
	Maximum number of Manageable devices: 10000
	Windows Server 2008 R2
	Xeon Processor or equivalent
	2GB (Recommended)
	160GB (RAID1) (Recommended)

*Microsoft Excel is required when printing forms to a spreadsheet.

*Microsoft, Windows, Windows XP, Windows Server, Internet Explorer, Excel, and Silverlight are registered trademarks of Microsoft Corporation in the US and other countries. *Other names of companies and products listed on the Web are registered trademarks of each company.

*We regret that the contents may change without any notice.

URL <http://www.betsukawa.co.jp/>

Betsukawa Creative Center
 TEL. 81+(076) 274-5900

- Betsukawa Creative Center
 1-5 Yatsukaho, Hakusan, Ishikawa 924-0838
 Tel.: 076-274-5901/ Fax : 076-274-5919
- Tokyo Branch Office
 1-19-5 Hamamatsu-cho (Takiyama Bldg., 3Fl.), Minato, Tokyo 105-0013
 Tel.: 03-3459-1321/ Fax : 03-3459-9653
- Nagoya Branch Office
 5-19-8 Sakae, Naka, Nagoya, Aichi 460-0008
 Tel.: 052-264-1603/ Fax : 052-263-4045



Precision Data Collection
 Easy Facility Operations



Precision Data Collection ✘ Easy Operation

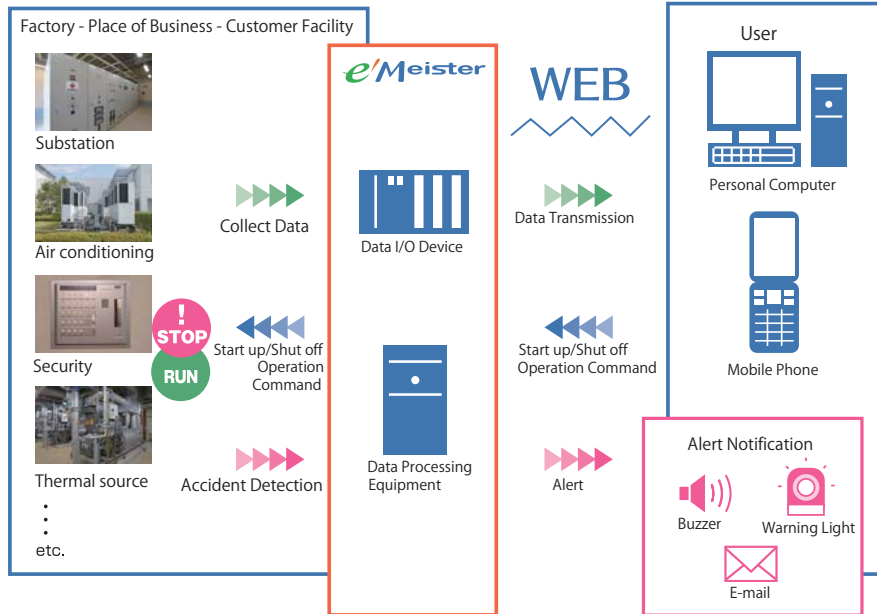
eMeister collects the information you need and supports facility operations

Streamline facility operations & save on labor costs

Data and measurements are captured from several different equipments to manage collectively in the facility.

Data collection allows for system monitoring, control & management as shown below

- Graphical monitoring of equipment status
- Build user-defined reports: daily - monthly - yearly
- Log management of alerts & operation
- Manual control of start up/shut off of equipment
- Data analysis via trend graph displays
- Automatic start up/shut off of equipment according to registered schedule
- Monitor and control electric power demand
- External notification when alarm is activated



Remotely controlled system management

No proprietary software needed. Easy to operate in a web browser.

Manage all aspects of your facility's information, anytime -anywhere! Manage the remote operation and monitoring of all equipment within your facilities via computer network.

No need for 24-hour on-site patrol

Equipment status can be monitored in real time. External alerts indicated by buzzers and warning lights.

Monitor equipment status and measurements, and display graphs and charts/ tables. Any change of status is recorded in a history report. If there is a problem with an equipment, it is indicated with a pop up alert and an alarm sounds.

Warning lights and e-mail alerts can be designated according to customer circumstances. Facilities information can be received without an on-site patrol, allowing for rapid response with external notifications.

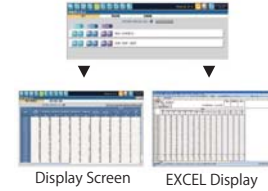
System Outline

Easy Report Building

Reports

Easily make reports in accordance with energy conservation laws.

This function can save and print measurement values in daily, monthly and annual reports using EXCEL formatting. It can also automatically generate reports on specified days.



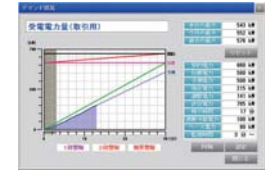
Automatic Equipment Control According to Demand Projections

Energy Demand

Calculate electric power use from demand. Save costs by automatically controlling equipment not to exceed contract demand limit.

Calculate future power needs based on past power consumption increases.

When calculated power use exceeds the preset value, the system warns the user and shuts off equipments specified by the user.



Complete Graphing Features & Historical Comparisons with CSV Output

Trend Graphs

Freely examine graphs of transitional data & statistics for temperature, power consumption, etc.

Display the status of equipment and changes in chronological order of measurements by line graphs or bar graphs. Realtime graphs display trends in 10-second intervals; historical graphs display trends in 1-minute intervals. Downloadable graph data as a CSV report.



Automatic Start up/Shut off Management of Equipment According to Schedule

Start up/ Shut off Schedule

Start and shut off equipment at specified times. Reduce the burden of a daily start up/shut off routine.

Start up and shut off equipment automatically on a to -the minute schedule by day of the week or season. Schedule changes and additions are easy. No more forgetting to turn off equipment!



Maintenance Management Functions -- Inspection and Replacement

Maintenance

Equipment operation time or frequency is monitored. Pictures can be displayed and links to the manual created.

When equipment operation time or frequency exceeds the set value for maintenance, users will be alerted, and the part to be replaced and inspection date will be displayed. Pictures and manuals can be uploaded and equipment information can be managed centrally.



Feature Restrictions To Each User Log-in

Security

For security, unauthorized operations and settings can be prohibited with user management functions.

Users log in using their own password. Restriction to operation and settings can be specified to each user.

