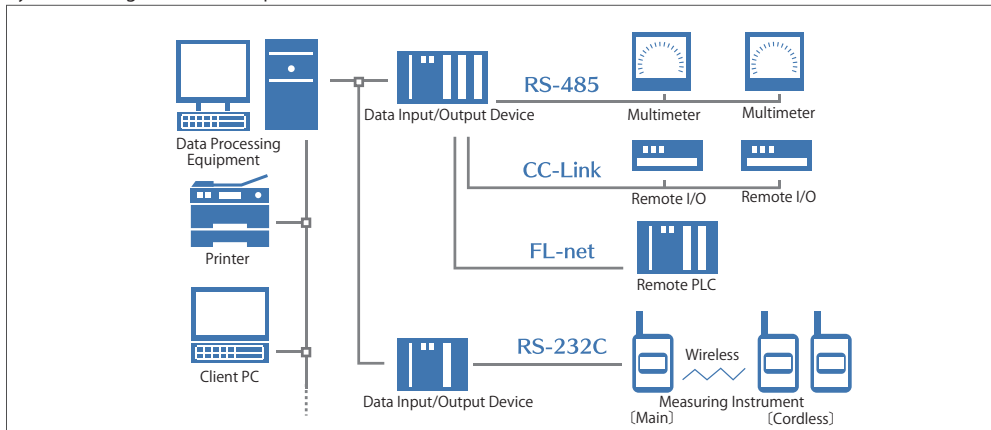


System Configuration (Example)



Main Function

Category	Features and Specifications
Standard Features	Monitoring: operation, alarm, measurements, upper and lower bounds, and sensor failure Display: graphical, current value list, generating alarm, unidentified warning, pop-up alerts, and daily - monthly - annual report Display & search: operating history, and warning history Automatic report printing, accumulated operation times and frequencies, self-diagnostics Security (password protected)
Optional Features	Monitoring of control failures Individual device control, schedule regulation Trend graphs display, operational history display & search Electronic mail notifications, external warning output Demand monitoring, demand regulation Inspection settings, maintenance time and frequency settings, equipment management User privileges

Operating Environment

Client		
OS	Windows XP Professional, Windows 7	
Application	Internet Explorer 6.0 or higher, Excel, Silverlight 2.0 or higher	
Data Processing Equipment		
	Maximum number of Manageable devices: 1000	Maximum number of Manageable devices: 10000
OS	Windows XP Professional, Windows 7	Windows Server 2008 R2
CPU	Core™ 2 Duo Processor or equivalent	Xeon Processor or equivalent
Memory	2GB (Recommended)	2GB (Recommended)
HDD Capacity	80GB (RAID1) (Recommended)	160GB (RAID1) (Recommended)

*Microsoft Excel is required when printing forms to a spreadsheet.

*Microsoft, Windows, Windows XP, Windows Server, Internet Explorer, Excel, and Silverlight are registered trademarks of Microsoft Corporation in the US and other countries. *Other names of companies and products listed on the Web are registered trademarks of each company.

*We regret that the contents may change without any notice.

URL <http://www.betsukawa.co.jp/>

Betsukawa Creative Center
 TEL. 81+(076) 274-5900

- Betsukawa Creative Center
 1-5 Yatsukaho, Hakusan, Ishikawa 924-0838
 Tel.: 076-274-5901/ Fax : 076-274-5919
- Tokyo Branch Office
 1-19-5 Hamamatsu-cho (Takiyama Bldg., 3Fl.), Minato, Tokyo 105-0013
 Tel.: 03-3459-1321/ Fax : 03-3459-9653
- Nagoya Branch Office
 5-19-8 Sakae, Naka, Nagoya, Aichi 460-0008
 Tel.: 052-264-1603/ Fax : 052-263-4045



Precision Data Collection
 Easy Facility Operations



Eco, Easy & Excellent e'Meister Is a Good Partner

e'Meister collects the information you need and supports facility operations.

ecology!

Cuts Electric Power Waste

Helps save energy with an automatic shut off feature that reduces power consumption.

- Automatically shuts off devices before the electric power use surpasses the contract power.
- Uses an annual schedule that automatically operates and shuts off equipment and saves energy.



Reduces CO2
No more forgetting
to turn off electricity!
Scheduled operation
and shut-off

easy!

Easy to operate

Shows the information users need, quickly and easily.

- Anyone can operate it with the easy-to-use graphical icons according to function.
- Easily register favorite screens to be displayed quickly when necessary.
- Easily create reports based on energy conservation laws.



Icon Indication
Easy Documentation

Facility Operations Support

Meister!

Remote Monitoring & Data Analysis

Device-specific, monitoring, control and data analysis
Total support for operations with multiple functions

- Monitor and control equipment on a network computer anywhere, anytime.
- Real-time, historical, or comparative detailed analysis of graphs is possible.
- Supports operations such as emergency response and maintenance inspections with an equipment registry.



Monitor & Operate on the Web
Statistical analysis with graphs
Equipment registry for rapid response